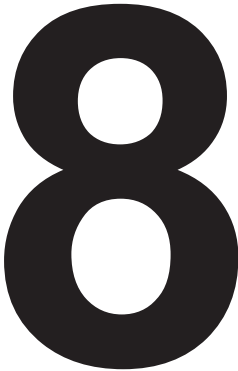
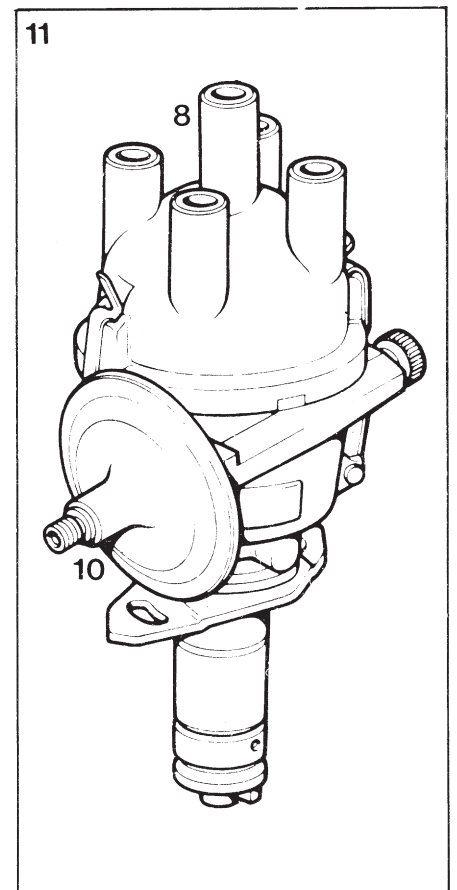
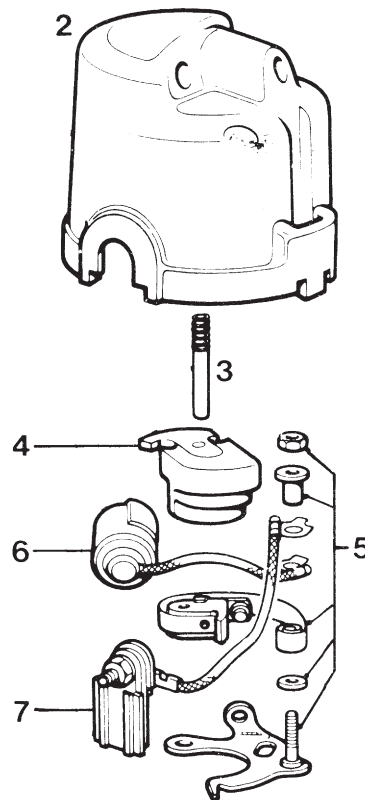
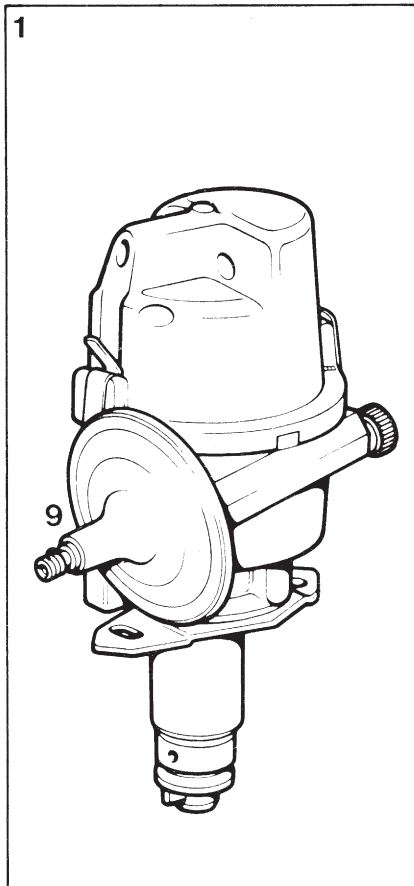


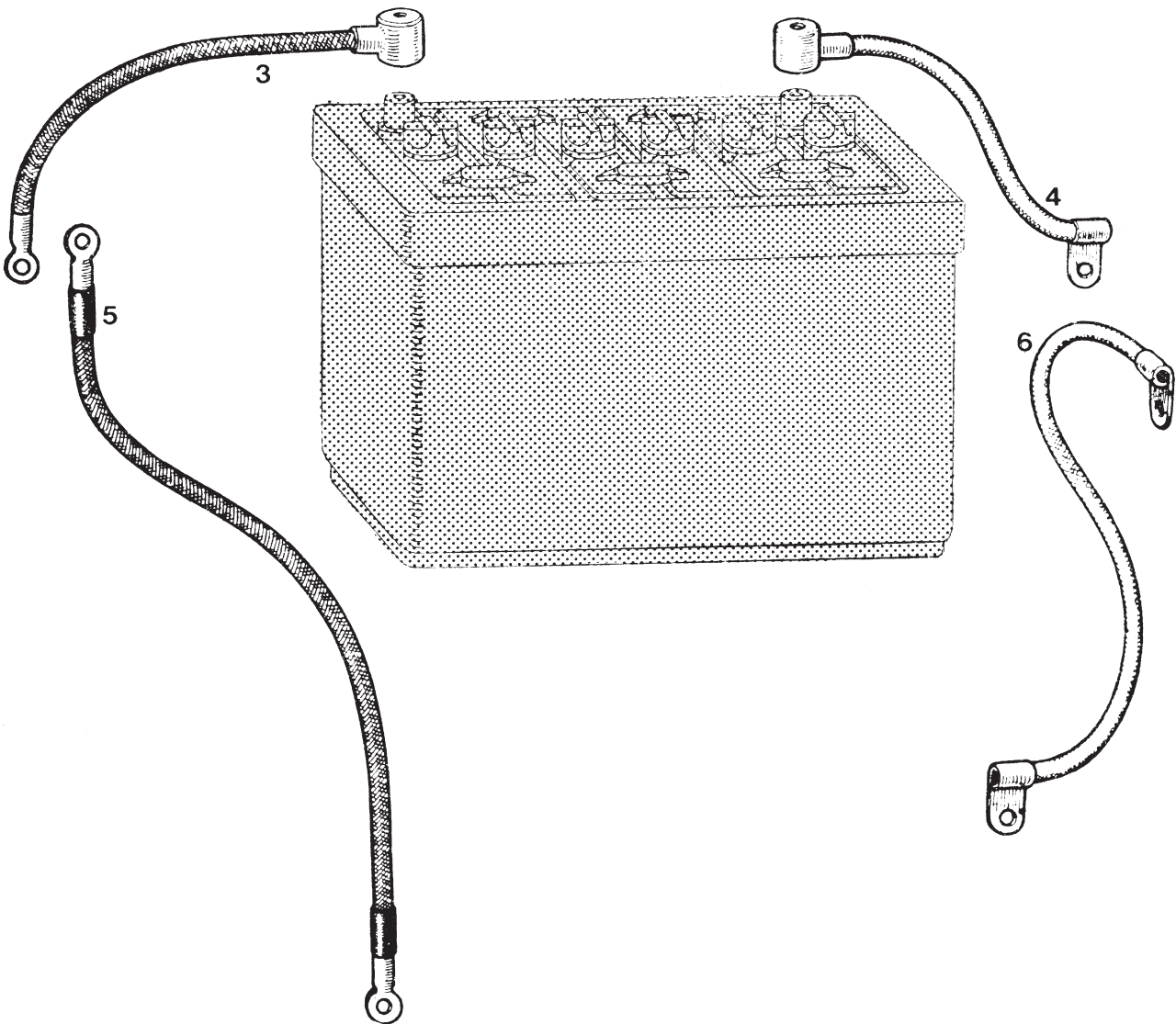
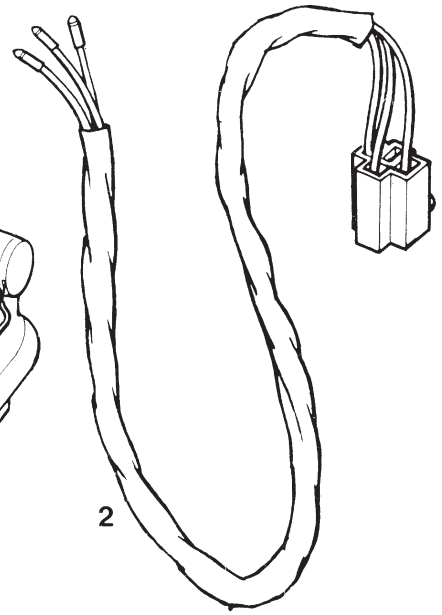
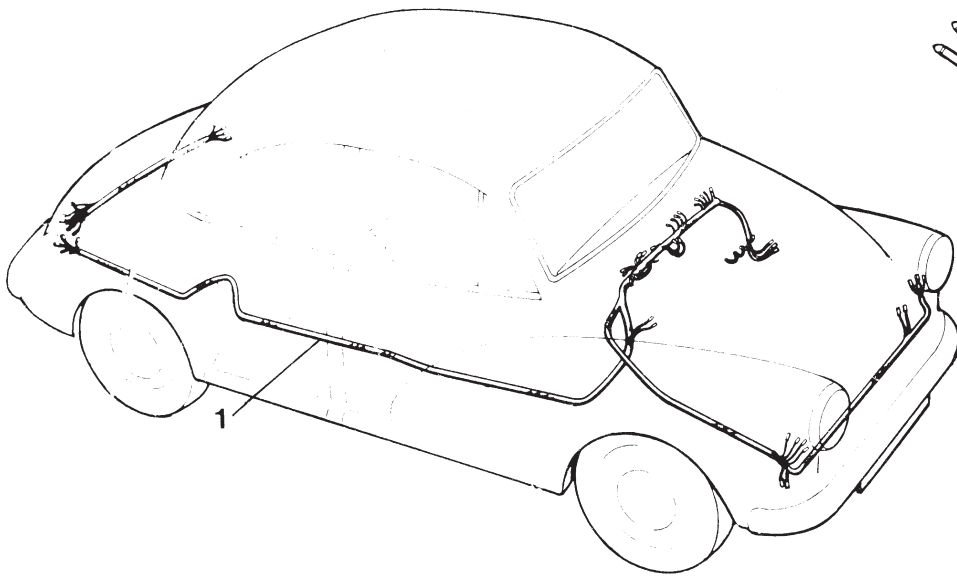
**Electrical
equipment and
instruments**



Blank

Part Number	ESM Order Ref.	Illus. No.	Description	Remarks
Distributor - 803cc, 948cc, 1098cc				
DST101	DST101	1	Distributor assembly - DM2 - 948cc	
DST102	DST102	2	Cap - distributor - side entry	
DST103	DST103	3	Brush and spring	
DST104	DST104	4	Arm - rotor	
DST105	DST105	5	Contact points set - 25D4	
-	SS106	5	Contact points set (DM2) (1953-1956)	
-	SS106A	5	Contact points set (DM2) (1956-1961)	
-	SV112	5	Contact points set (DKY4) (Side valve engine)	
DST106	DST106	6	Condenser	
DST107A	DST107A	7	LT lead - DM2 (screw)	
DST107	DST107	-	LT lead - 25D4	
DST108	DST108	8	Cap - distributor - top entry	
DST109	DST110A	9	Vacuum unit - screw on pipe type	
DST110	DST110	10	Vacuum unit - push on pipe type	
DST111	DST111	11	Distributor assembly - 25D4 - 1098cc	
GHT105	DST113	-	Distributor HT leads (set 5) - push in type	
GHT102	DST115	-	Distributor HT leads (set 5) - screw in type	
-	DST113A	-	Distributor HT lead (wire core) - per foot	
-	DST116	-	Distributor HT lead brass contact washer	
-	DST114	-	Contact set fixing screw	
-	1G2673	-	Spacer - HT cables	



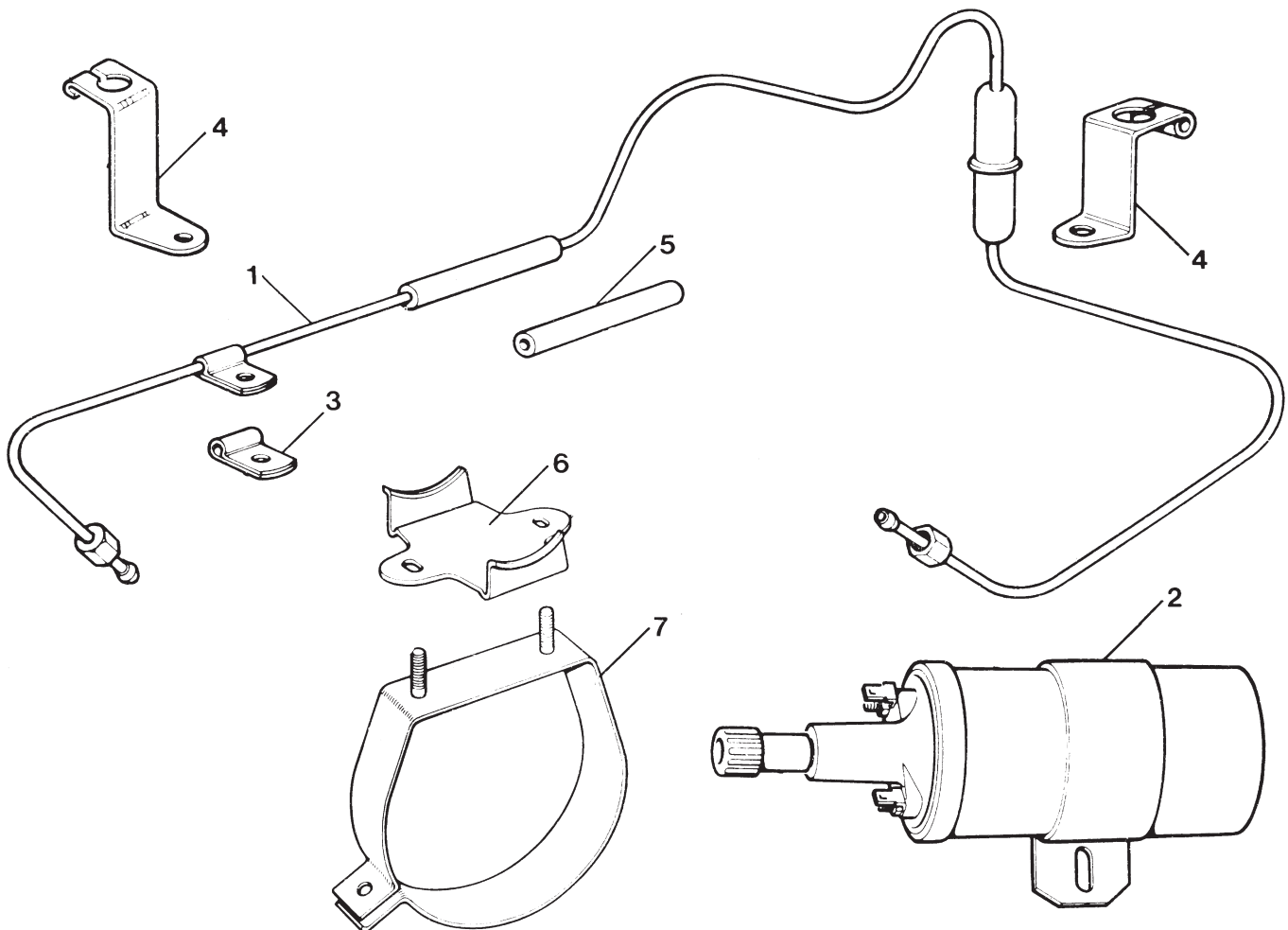


ESM Order Ref.	Illus. No.	Description	Remarks
		Wiring loom - braided outer - PVC cable	
WRC101-401	1	1948 to 1949 side valve - chassis number SMM501 to 63821 RHD	
WRC101-402	1	1949 to 1952 side valve RHD - chassis number 63822 to 139174	
WRC101-403	1	1952 to 1953 2dr with main beam warning light on dash and OHV engine	
WRC101-451	1	1952 to 1953 4dr with main beam warning light on dash and OHV engine	
WRC101-404	1	1953 to 1954 offset speedo - chassis number 221763 to 286439	
WRC101-450	1	1954 LHD export models with offset speedo, relay flashers and twin horns	
WRC101-405	1	1954 to 1955 central speedo and coil on bulkhead - chassis number 286441 to 352299	
WRC101-406	1	1955 to 1956 Series II 2dr coil on dynamo - chassis number 352300 to 448800	
WRC101-407	1	1955 to 1956 Series II 4dr coil on dynamo - chassis number 352300 to 448800	
WRC101-408	1	1956 to 1957 2dr and 4dr Minor 1000 - chassis number 448801 To 654749	
WRC101-429	1	1958 to 1961 2dr - chassis number 654750 to 925554	
WRC101-430	1	1958 to 1961 4dr - chassis number 654750 to 925554	
WRC101-431	1	1961 to 1962 relay flashers and screw connectors - chassis number 925555 to 1043325	
WRC101-432	1	1962 to 1963 relay flashers and Lucar connectors - chassis number 925555 to 1043325	
WRC101-433	1	1963 to 1964 pull start and amber flashers - chassis number 1043326 to 1082279	
WRC101-434	1	1964 to 1965 Van/Pick-Up/Traveller with amber flashers and pull type starter	
WRC101-435	1	1965 to 1970 2dr and 4dr with key start and dynamo - chassis number 1082280 on	
WRC101-436	1	1965 on with key start and alternator - chassis number 1082280 on	
WRC101-438	1	1960 to 1962 Van/Pick-Up/Traveller with trafficators	
WRC101-439	1	1962 to 1963 Van/Pick-Up/Traveller with 1098cc engine and relay flashers	
WRC101-440	1	1965 on Van/Pick-Up/Traveller with key start and dynamo	
WRC101-472	1	1965 on Van/Pick-Up/Traveller with key start and alternator	
WRC103	2	Cable - dipswitch - RHD	
WRC103A	2	Cable - dipswitch - LHD	
WRC104	3	Cable - battery to starter switch	
WRC105	4	Cable - battery positive to earth	
WRC106	5	Cable - starter switch to starter	
WRC107	6	Cable - gearbox to earth	
WRC108	-	Wiring bullet connector - brass	
WRC109	-	Wiring harness "P" clip	
WRC110	-	Grommet - brake pipe through crossmember	
WRC111	-	Grommet - wiring loom through boot floor	
WRC112	-	Grommet - petrol pump lead	
WRC113	-	Grommet - speedometer cable through bulkhead)	
WRC114	-	Grommet - headlamp and rear lamp wires)	
WRC115	-	Grommet - throttle/choke cable through bulkhead	
WRC100	-	Grommet kit - engine bay	
WRC100A	-	Grommet kit - complete (includes WRC100)	
WRC119A	-	Wiring connector - single - female	
WRC119B	-	Wiring connector - double - female	
WRC129	-	Metal earth clip (for headlamp wire etc)	
BAT102	-	Retaining bar - battery - 1956 to 1962	
BAT102A	-	Retaining bar - battery - chassis no. 974690 on	
BAT103	-	"J" bolt and nuts for BAT102	
BAT103A	-	"J" bolt and nuts for BAT102A	
BAT105		Battery tray - plastic	

Part Number	ESM Order Ref.	Illus. No.	Description	Remarks
-------------	----------------	------------	-------------	---------

Coil and vacuum advance

VAC101	VAC101	1	Pipe assembly - ignition control - metal	
-	VAC101E	-	Pipe assembly - ignition control - plastic (with Rubber connectors)	
VAC103	VAC103	2	Coil assembly - late type push in HT lead	
-	VAC103L		Coil assembly - late type push in HT lead - Lucas	
-	VAC104	2	Coil assembly - early type screw in HT lead	
-	VAC110	-	Acorn nut for coil	
VAC105	VAC105SH	4	Clip - fuel trap mount	
VAC106	VAC102A	5	Connection - vacuum pipe - straight	
-	VAC102B		Connection - vacuum pipe - angled	
VAC107	VAC107	6	Plate - steady	
VAC108	VAC108	7	Bracket - dynamo - coil mounting	

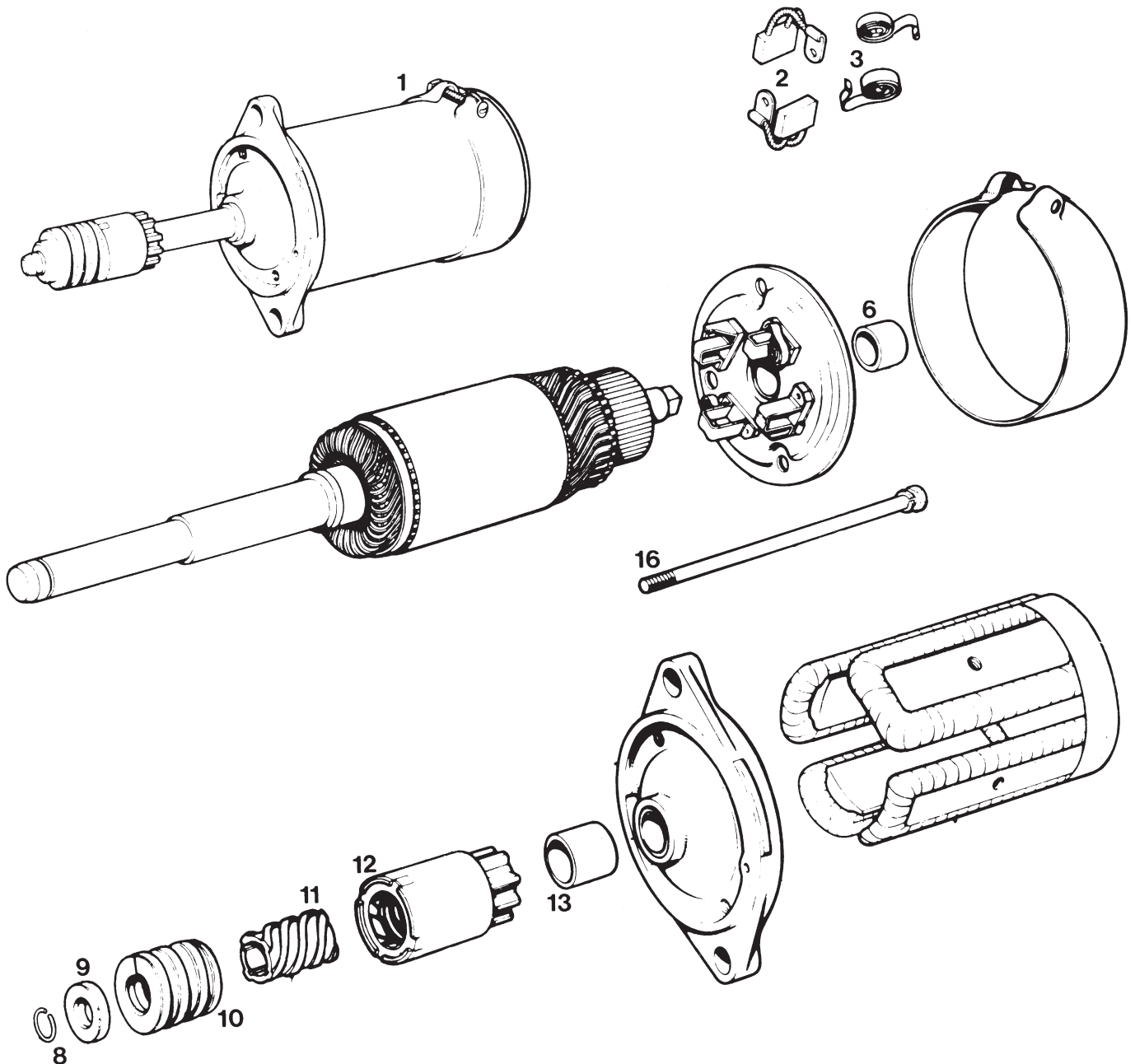


Part Number	ESM Order Ref.	Illus. No.	Description	Remarks
-------------	----------------	------------	-------------	---------

Starter - all models

Component parts for M35J type - for early cars use ST101

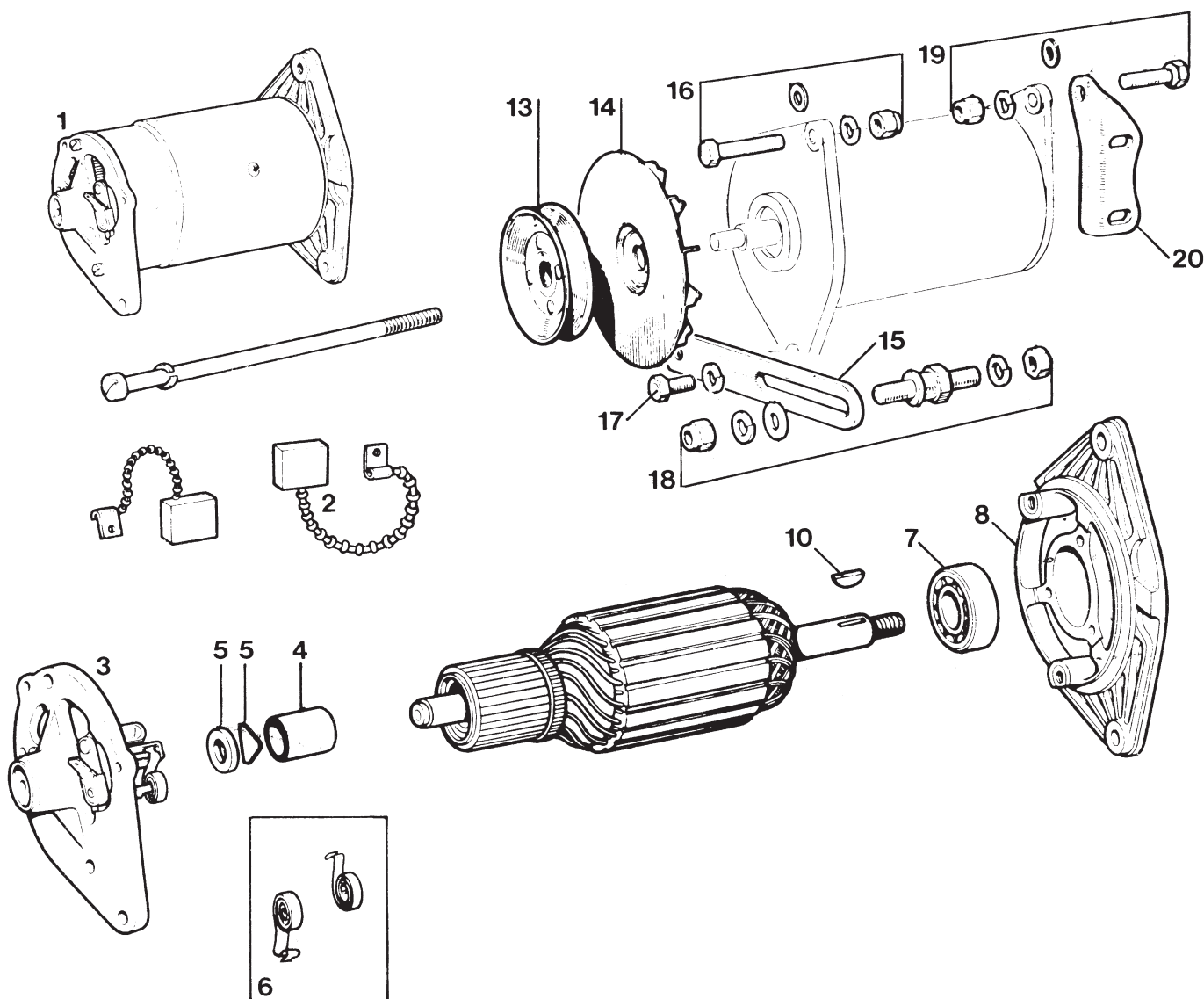
ST101	ST101	1	Starter assembly
ST102	ST102	2	Brush set
ST103	ST103SH	3	Kit - brush tension
ST106	ST106	6	Bush
ST108	ST108SH	8	Ring - spring
ST109	ST109SH	9	Cup - shaft
ST110	ST110	10	Spring - main
ST111	ST111SH	11	Sleeve - screwed
ST112	ST112	12	Pinion and barrel
ST113	ST113	13	Bush
ST116	ST116SH	16	Bolt - through fixing



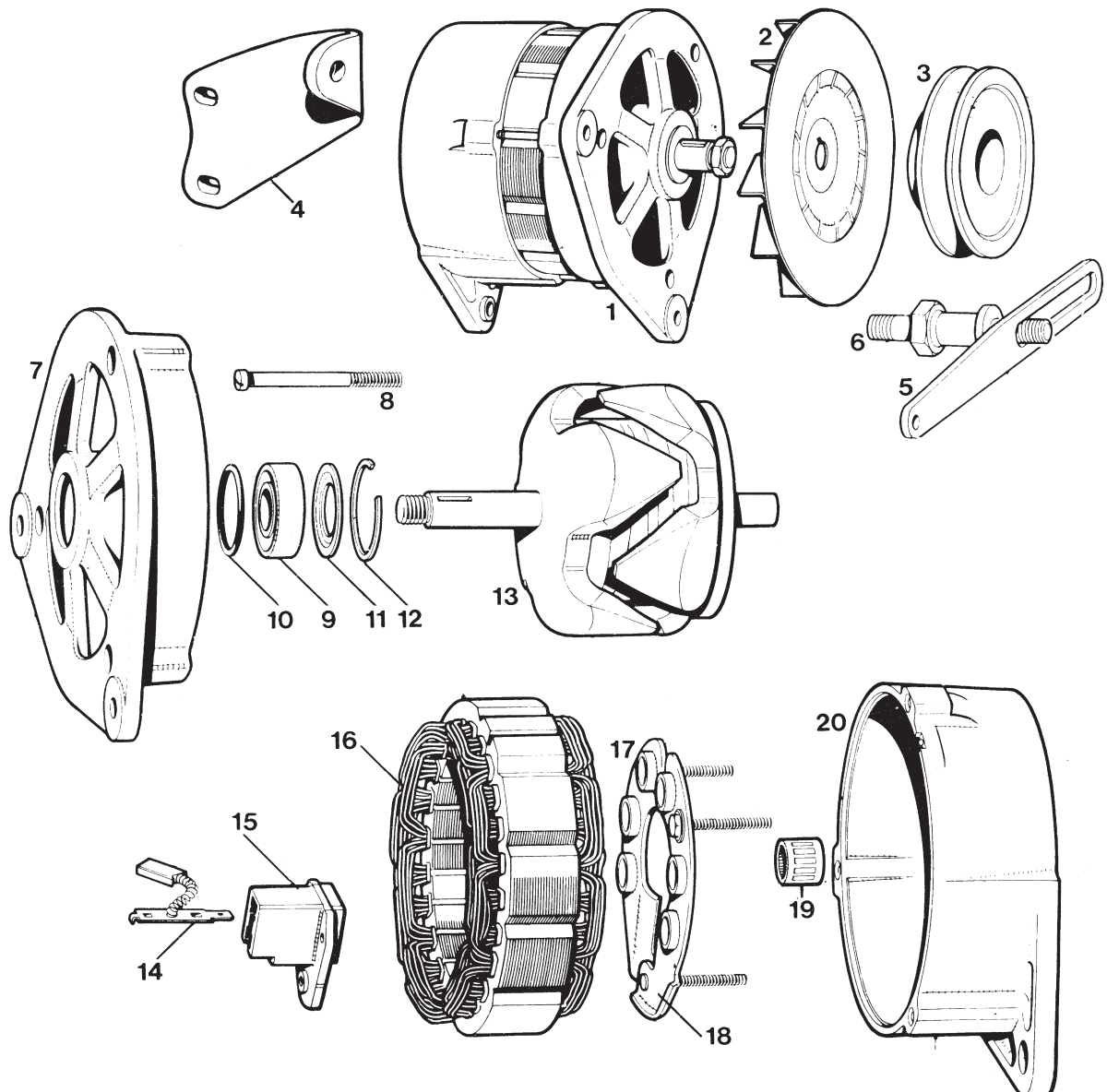
Part Number	ESM Order Ref.	Illus. No.	Description	Remarks
-------------	----------------	------------	-------------	---------

Dynamo - all models

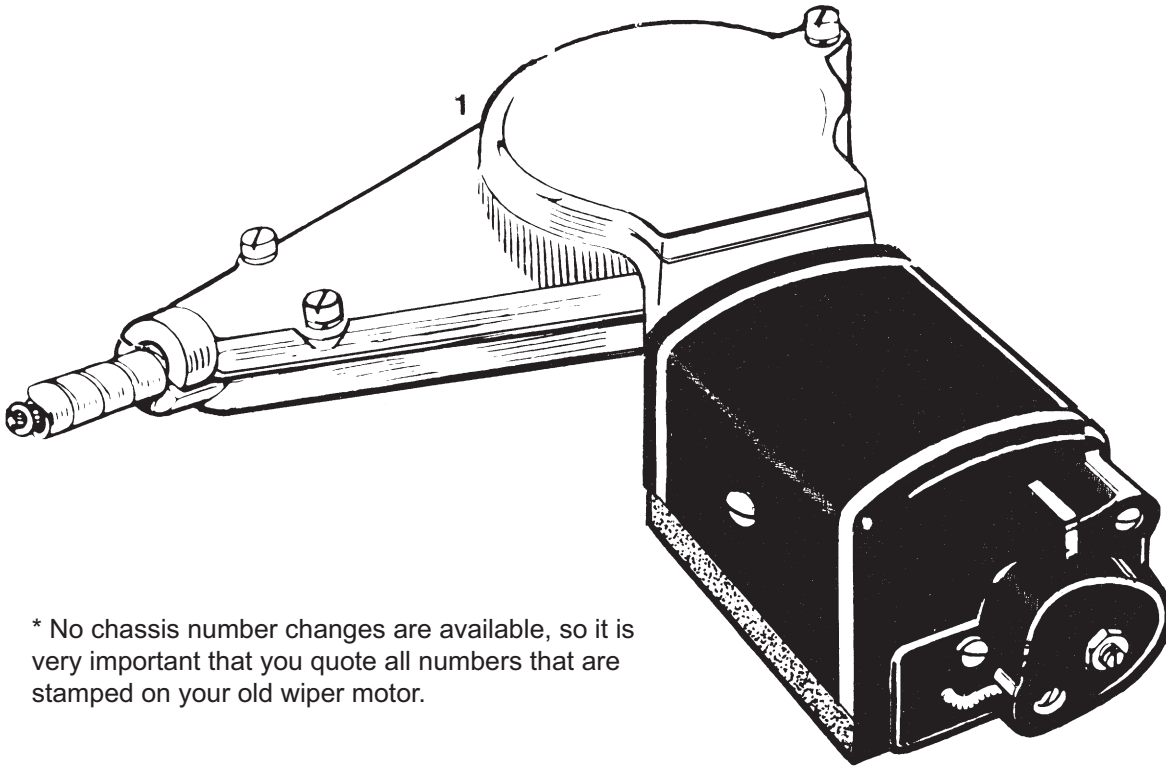
DYN101A	DYN101A	1	Dynamo assembly - C39 (1953 - 1962)	
DYN101	DYN101	1	Dynamo assembly - C40 (1962 on)	
DYN102A	DYN102A	2	Brush set - C39	
DYN102	DYN102	2	Brush set - C40	
DYN103	DYN103	3	Bracket assembly - commutator end	
DYN104	DYN104SH	4	Bush - bearing	
DYN105	DYN105	5	Oiler (felt bush)	
DYN106	DYN106	6	Spring - brush tension - set	
DYN107	DYN107	7	Bearing - drive end	
DYN108	DYN108SH	8	Bracket - drive end	
DYN110	10G219	10	Key - woodruff - 1/2"D x 1/8"	
DYN113	DYN113	13	Pulley - dynamo - 2 3/4"	
DYN114	DYN114	14	Fan - dynamo	
DYN115	DYN115	15	Link - dynamo adjusting	
DYN116	FIX138C	16	Bolt - 5/16" UNF x 1 5/8"	
DYN117	FIX144	17	Screw - link to dynamo - 5/16" UNC x 5/8"	
DYN118	FIX123	18	Pillar - dynamo adjusting link	
DYN119	FIX138B	19	Bolt - dynamo to bracket - 5/16" UNF x 1 1/8"	
DYN120	DYN120	20	Bracket - dynamo - rear	



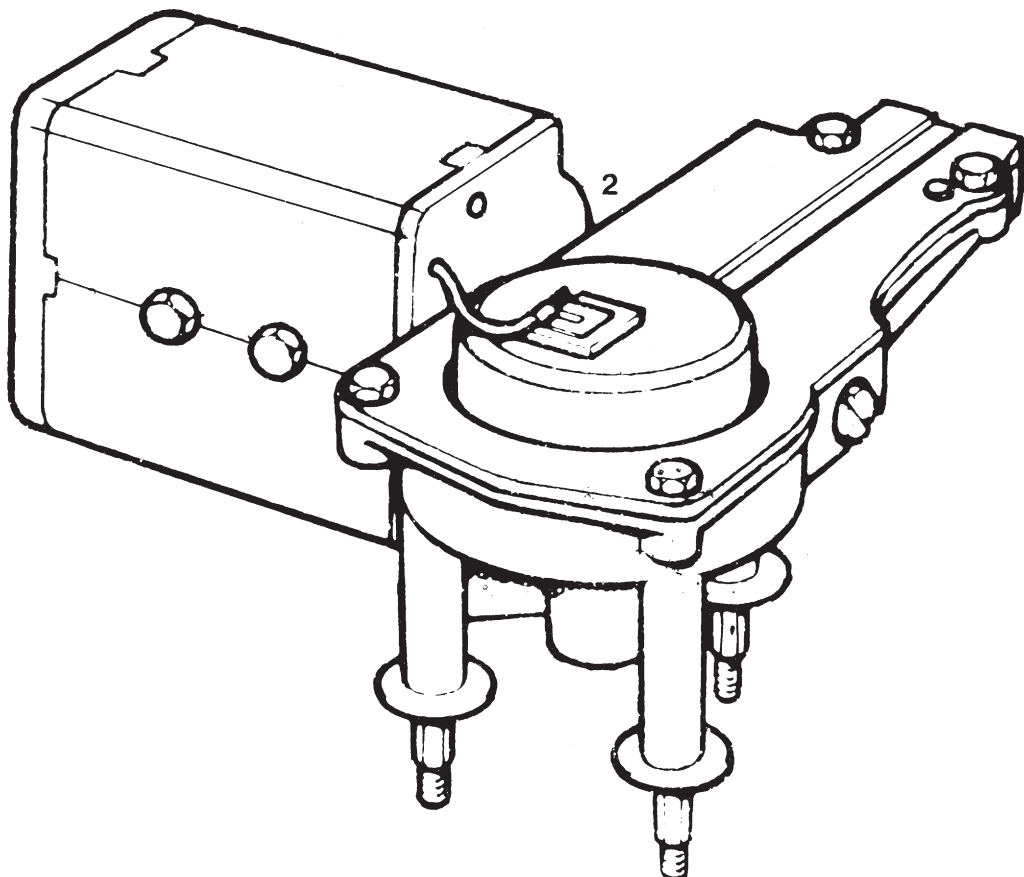
Part Number	ESM Order Ref.	Illus. No.	Description	Remarks
Alternator				
ALT100	ALT100	-	Alternator conversion kit	
ALT101	ALT100B	1	Alternator - positive earth (as fitted to police cars etc)	
ALT102	ALT102/3	2	Fan	
ALT103	ALT102/3	3	Pulley	
ALT104	ALT104	4	Mounting bracket - rear (fixes to engine block)	
ALT105	ALT105	5	Link - adjusting	
ALT106	FIX123	6	Pillar - adjusting	
ALT107	ALT107SH	7	Bracket assembly - drive end	
ALT108	ALT108SH	8	Bolt - through fixing	
ALT109	ALT109SH	9	Bearing	
ALT110	ALT110SH	10	O' - ring	
ALT111	ALT111SH	11	Plate - bearing retaining	
ALT112	ALT112SH	12	Circlip	
ALT113	ALT113SH	13	Rotor	
ALT114	ALT114SH	14	Brush and spring	
ALT115	ALT115SH	15	Brush box	
ALT116	ALT116SH	16	Stator	
ALT117	ALT117SH	17	Heat-sink (with cathode base diodes)	
ALT118	ALT118SH	18	Heat-sink (with anode base diodes)	
ALT119	ALT119SH	19	Bearing - needle roller	
ALT120	ALT120SH	20	Bracket assembly - slip ring end	
ALT121	ALT121	-	Wiring harness for alternator	



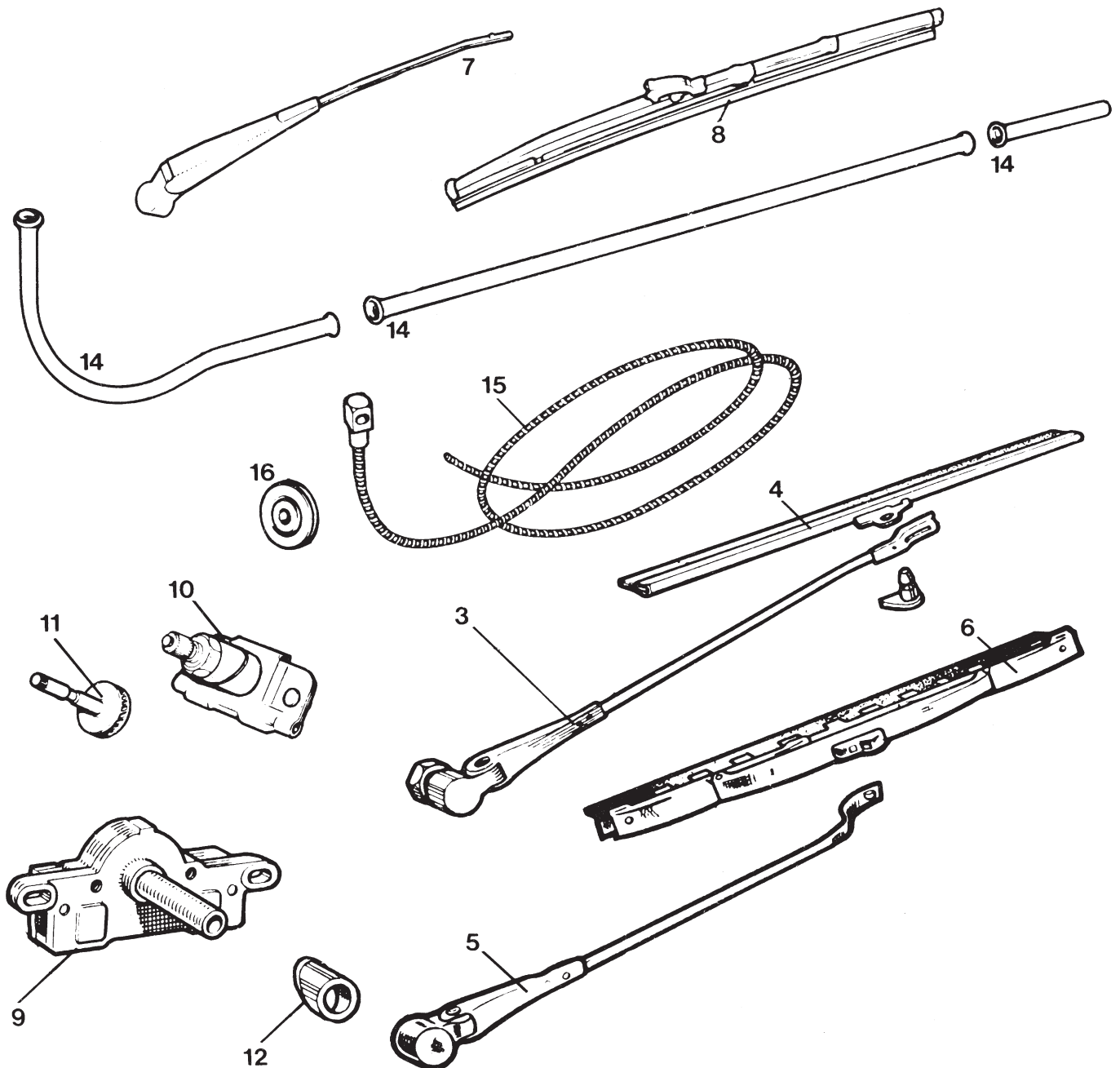
Part Number	ESM Order Ref.	Illus. No.	Description	Remarks
			Wiper motor	
WPR101	WPR101	1	Wiper motor	Split screen type
-	WPR102	-	Mounting rubbers and studs (set of 3)	Suits WPR103/4
WPR103	WPR103	2	Wiper motor	"Clap hand" type wipers
WPR104	WPR104	3	Wiper motor	Wipers sweep in same direction



* No chassis number changes are available, so it is very important that you quote all numbers that are stamped on your old wiper motor.



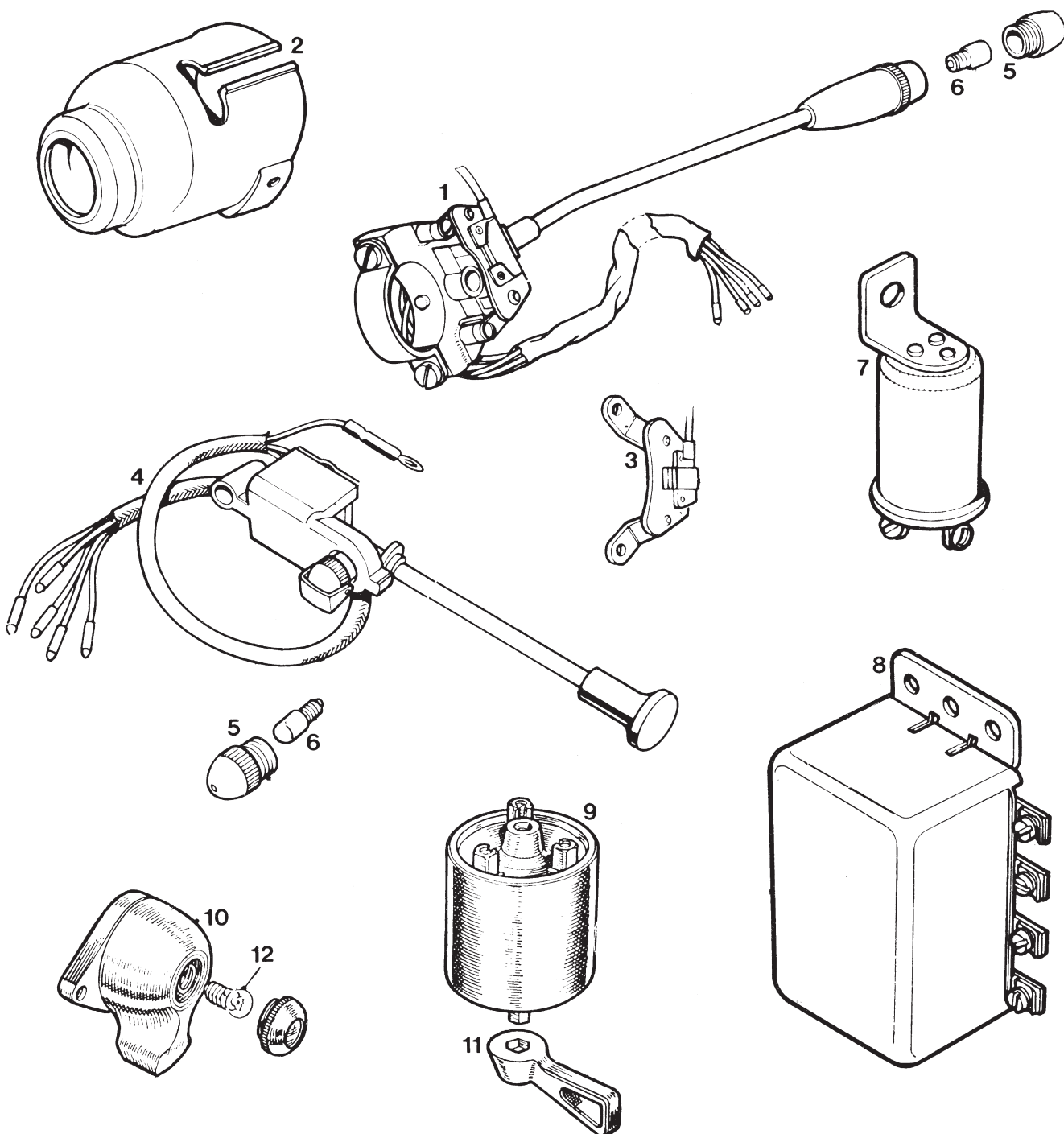
Part Number	ESM Order Ref.	Illus. No.	Description	Remarks
Wiper motor				
WPR105	WPR105	3	Arm - wiper - R/H	<i>Split screen type</i>
WPR106	WPR106	-	Arm - wiper - L/H	<i>Split screen type</i>
WPR107	WPR107	4	Wiper blade	<i>Split screen type</i>
WPR108	WPR108	5	Arm - wiper - R/H	<i>"Clap hand" type</i>
WPR109	WPR109	-	Arm - wiper - L/H	<i>"Clap hand" type</i>
WPR110	WPR110	6	Wiper blade	<i>"Clap hand" type</i>
WPR111	WPR111	7	Arm - wiper - R/H & L/H	<i>Wipers sweep in same direction</i>
WPR112	WPR112	8	Wiper blade	<i>Wipers sweep in same direction</i>
WPR113	WPR113	9	Wheelbox	<i>Split screen type</i>
WPR114	WPR114	10	Wheelbox	<i>"Clap hand" type</i>
WPR115	WPR115	10	Wheelbox	<i>Wipers sweep in same direction</i>
WPR118	WPR118SH	12	Finisher	<i>Split screen type</i>
-	WPR151	-	Nut - finisher retaining	<i>For WPR118</i>
WPR119	WPR119	12	Finisher	<i>All non-split screen applications</i>
-	WPR119S	-	Gasket for WPR119	
WPR900	WPR152	-	Nut - finisher retaining	<i>For WPR119</i>
WPR121	WPR121	15	Cross-head and rack	<i>All non-split screen applications</i>
WPR122	WPR121A	-	Cross-head and rack	<i>Split screen application</i>
WPR123	WPR123	16	Grommet - rack guide to bulkhead	



Part Number	ESM Order Ref.	Illus. No.	Description	Remarks
-------------	----------------	------------	-------------	---------

Indicator switches and relays

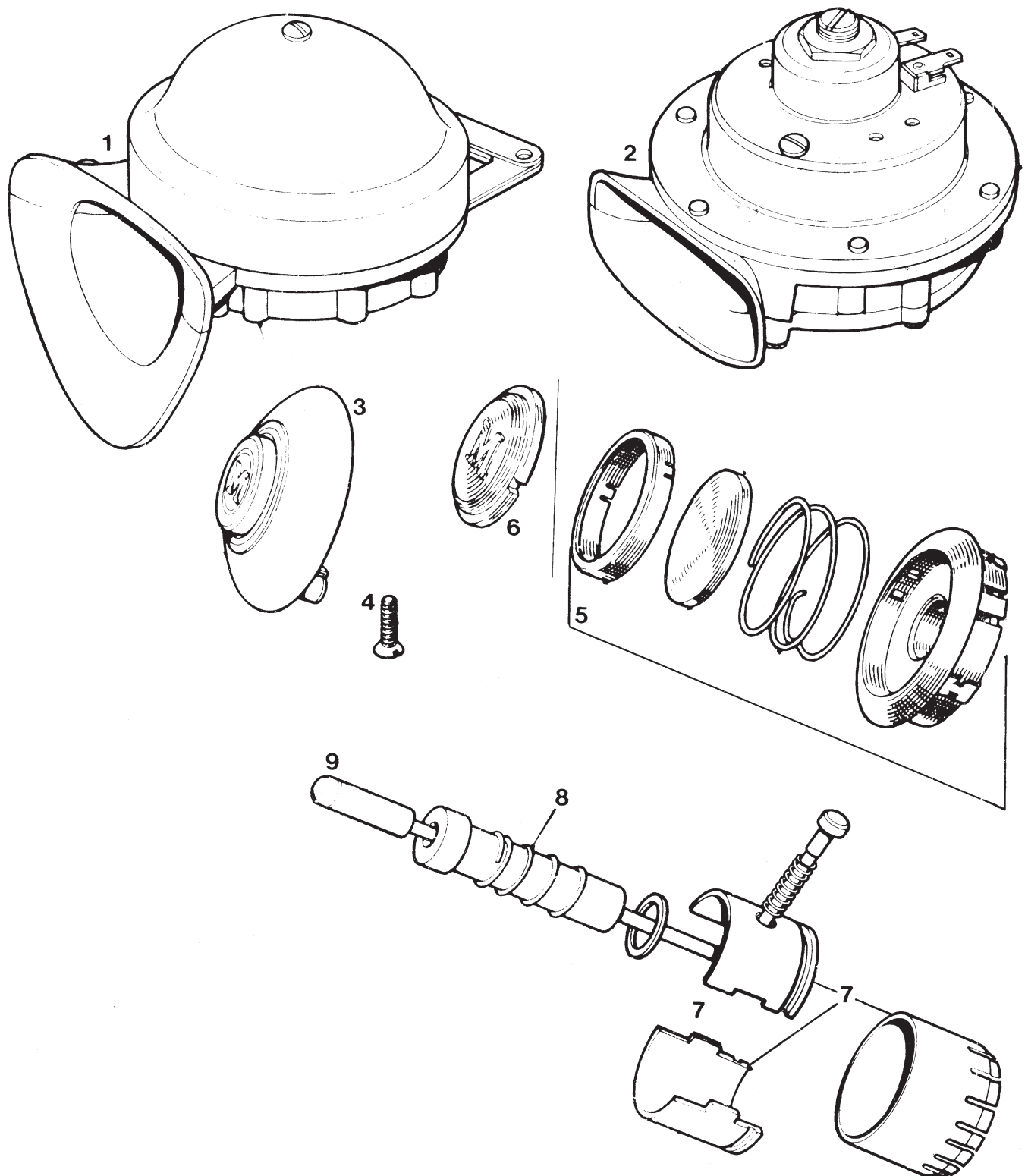
SWT101	SWT101	1	Switch assembly - indicator	
SWT102	SWT102	2	Cover - switch	
SWT105	SWT105	5	Lens - green	
57H5188	SWT105A	5	Lens - amber	
BLB280	BLB280	6	Bulb	
SWT106	SWT106	-	Flasher unit - spade connectors	
SWT107	SWT122	7	Flasher unit - screw connectors	
SWT107A	SWT107	8	Relay - eight terminal	
SWT108	SWT108	9	Switch - indicator	<i>4dr and Traveller</i>
SWT109	SWT109	10	Switch - indicator	<i>2dr and convertible</i>
SWT110	SWT110	11	Lever	
BLB987	BLB987	12	Bulb	

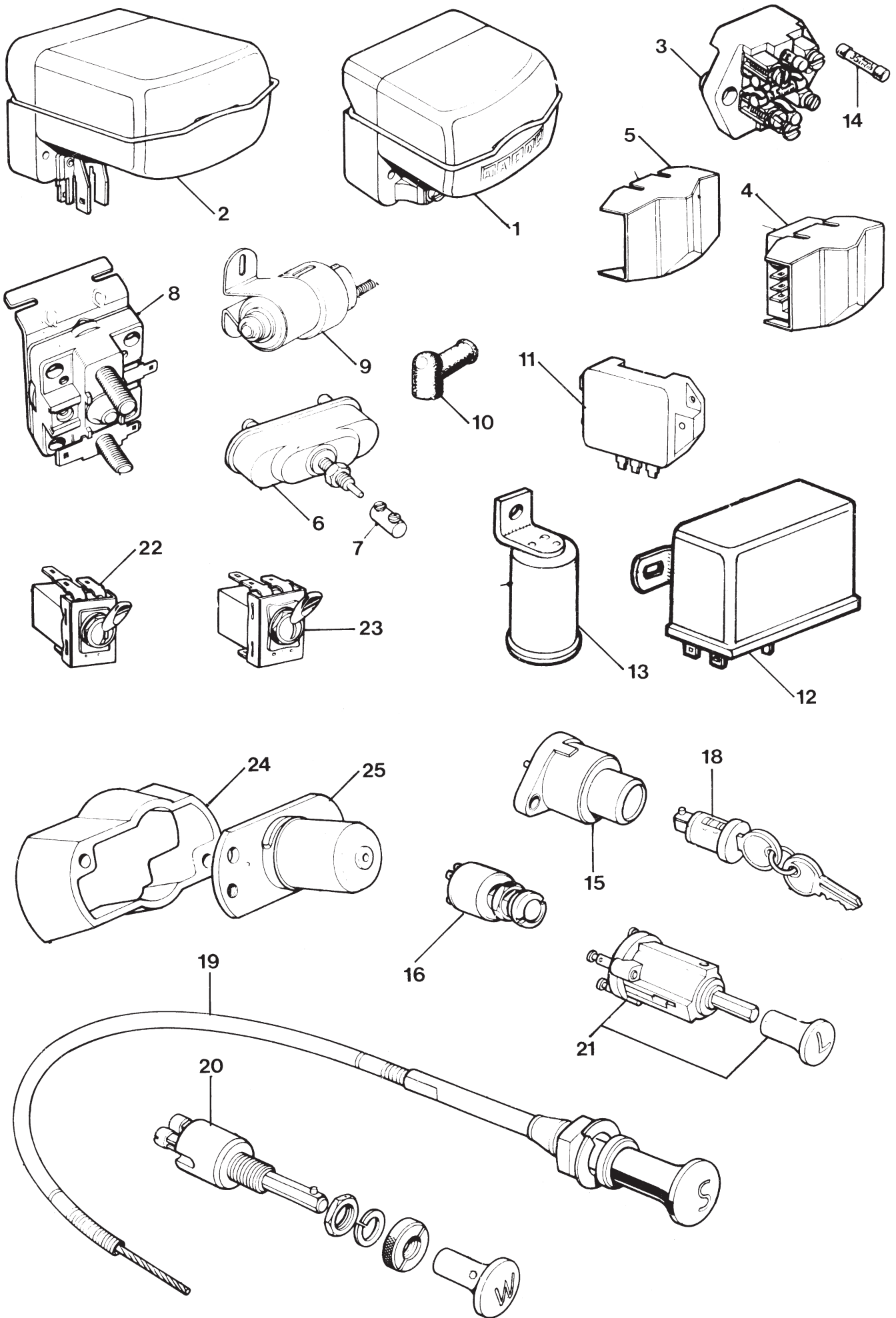


Part Number	ESM Order Ref.	Illus. No.	Description	Remarks
-------------	----------------	------------	-------------	---------

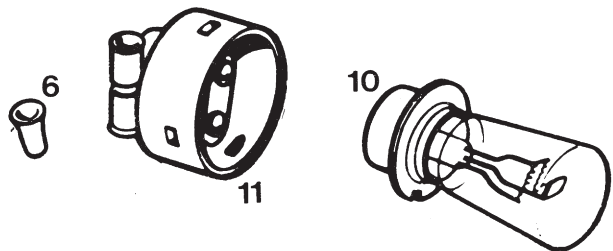
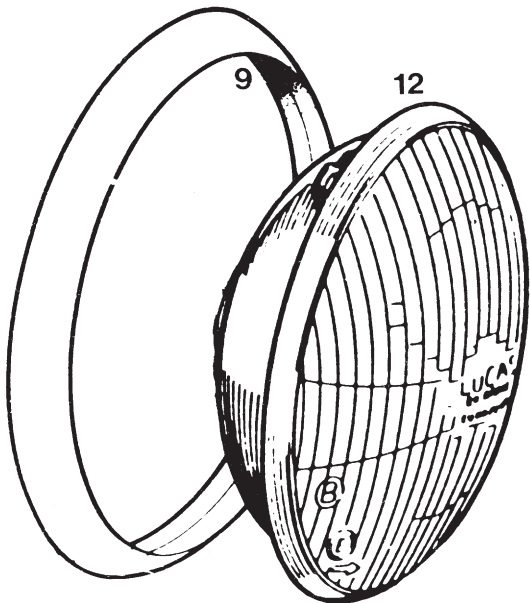
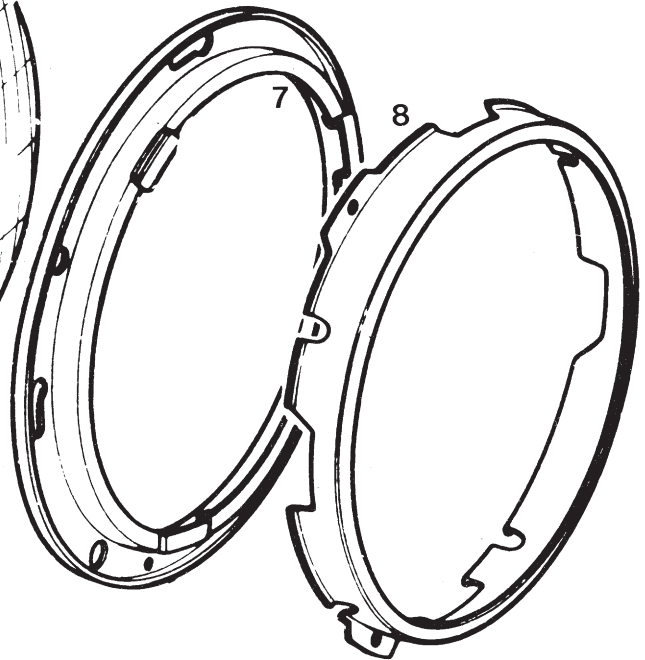
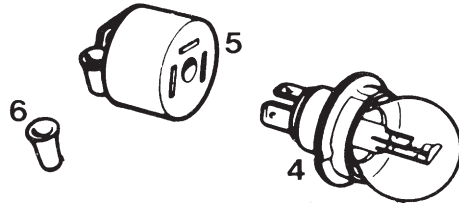
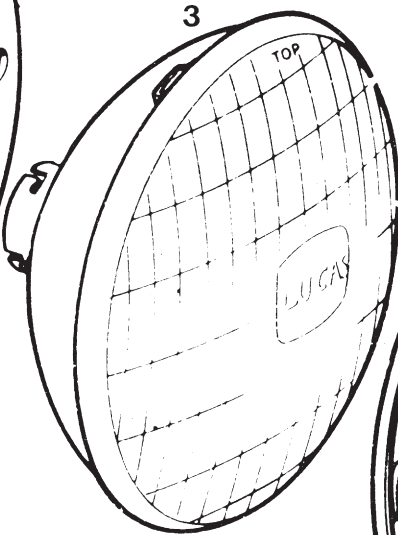
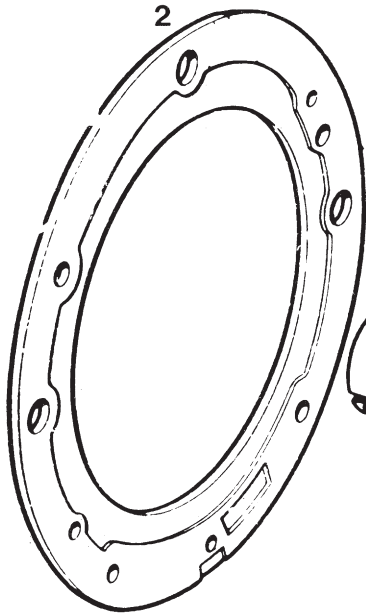
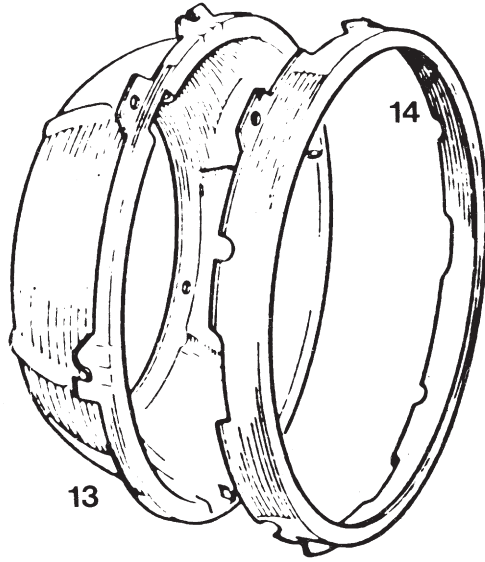
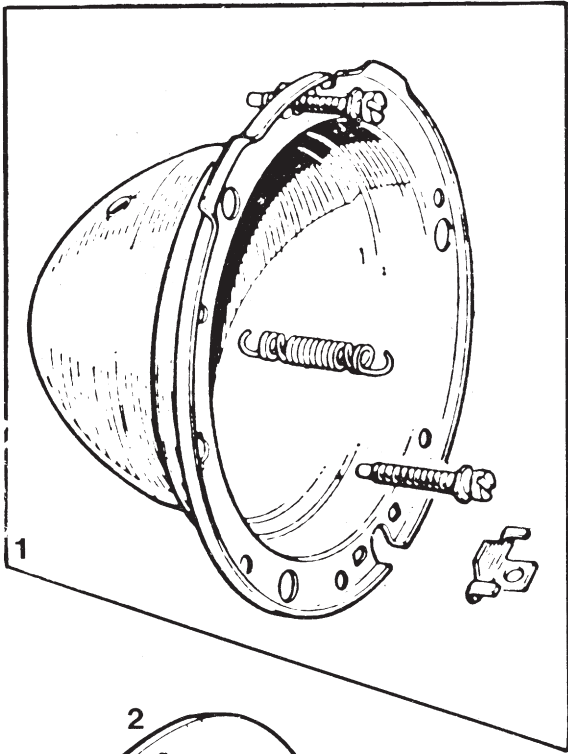
Horn and controls - all models

HRN101	HRN101	1	Horn assembly	
HRN102	HRN102	2	Horn assembly	
HRN103	HRN103SH	3	Push assembly	
HRN104	HRN104SH	4	Screw	
HRN105	HRN105	5	Push assembly - with motif	
-	HRN105C	-	Clip - horn push assembly retaining	
HRN106	HRN106SH	6	Motif	
HRN107	HRN107SH	7	Slip ring assembly	
HRN108	HRN108SH	8	Spring	
-	HRN109SH	9	Contact	





Part Number	ESM Order Ref.	Illus. No.	Description	Remarks
			Switches, regulator, fusebox, etc.	
-	SWH100	-	Regulator fuse box (early MM) Lucas RF95	
SWH101	SWH101	1	Regulator box assembly - screw terminals	
SWH102	SWH102	2	Regulator box assembly - Lucar connectors	
SWH103	SWH103	3	Fusebox assembly - screw terminals	
SWH104	SWH104	4	Fusebox assembly - Lucar connectors	
SWH105	SWH105	5	Cover	
SWH106	SWH106	6	Switch - starter	
SWH107	SWH107	7	Coupling - starter switch control	
SWH108	SWH108	8	Switch - starter solenoid	
SWH108A	SWH108A	9	Switch - starter solenoid - round	
SWH109	SWH109	10	Cap - terminal insulating	
-	SWH110	-	Ignition warning light - MM and early 803cc	
SWH113	SWH113	14	Fuse - 35 amp	
-	SWH113A	14	Fuse - 10 amp	
SWH114	SWH114	15	Switch - ignition (less barrel and keys)	
SWH115	SWH115	16	Switch - ignition - starter (less barrel and keys)	
SWH117	KEY109	18	Barrel and keys - ignition switch	
SWH118	SWH118	19	Control assembly - starter - brown knob	
SWH119	SWH119	19	Control assembly - starter - black knob	
SWH120	SWH120	20	Switch - windscreen wiper	
SWH121	SWH120	20	Switch - windscreen wiper	
SWH122	SWH123	21	Switch - lighting	
SWH123	SWH122	21	Switch - lighting	
SWH124	SWH124	22	Switch - windscreen wiper	
SWH125	SWH125	23	Switch - lighting	
SWH126	SWH126SH	24	Packing - dipper switch	
SWH127	SWH127	25	Switch - dipper - late - push on connectors	
-	SWH128	25	Switch - dipper - early - screw connectors	

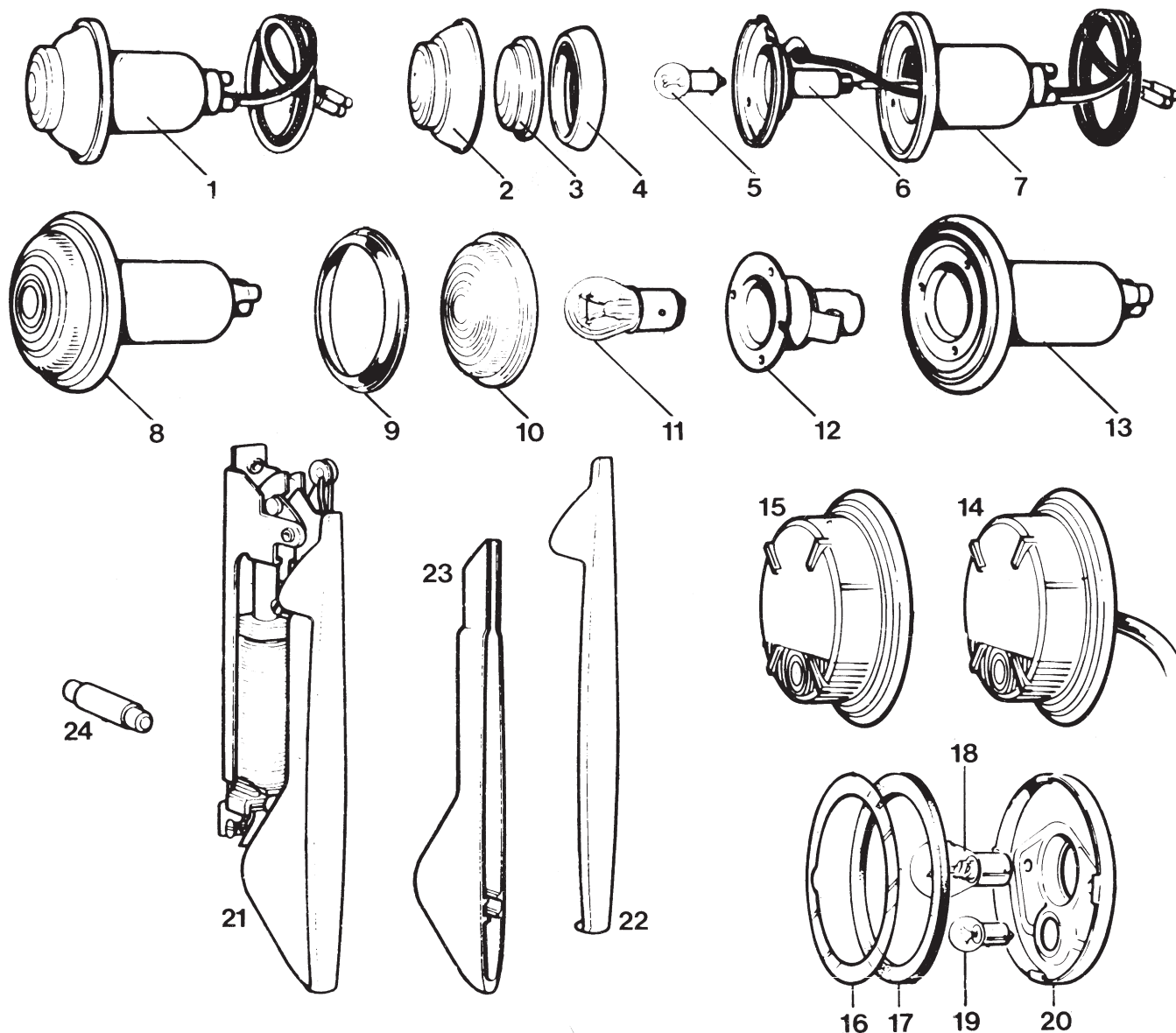


Part Number	ESM Order Ref.	Illus. No.	Description	Remarks
Headlight units - all models				
For use with non-sealed-beam units				
LMP151	LMP151	1	Bucket	
LMP152	LMP152	2	Gasket	
LMP153	LMP153	3	Unit - light - RHD	
BLB410	BLB410	4	Bulb	
LMP108	LMP108	6	Connector	
LMP155/156	LMP156	7&8	Plate and rim assembly	
LMP157	LMP157	9	Bezel	
BLB414	BLB414	10	Bulb - bayonet fitting	
LMP158	LMP203	11	Adaptor with harness	
For use with sealed beam units				
BLB114	BLB114	12	Unit - light - sealed beam - 60W/45W - RHD	
LMP159	LMP159	13	Plate	
LMP160A	LMP160A	14	Rim	
LMP154A	LMP202	5	Adaptor with harness	
LMP157	LMP157	9	Bezel	
LMP160	LMP200	1	Bucket	
LMP161	LMP161	2	Gasket	
Headlamp sub assembly				
LMP900	LMP900	-	Sealed beam type - RHD	
	LMP901	-	Adjuster screw and spring kit for LMP900	
LMP920	LMP920	-	Bulb type - RHD	
	LMP921	-	Adjuster screw kit for LMP920	
Headlamp sub assemblies include bucket, light unit or bulb, adaptor, harness, retaining rim and plate but do not include bezel or gasket.				

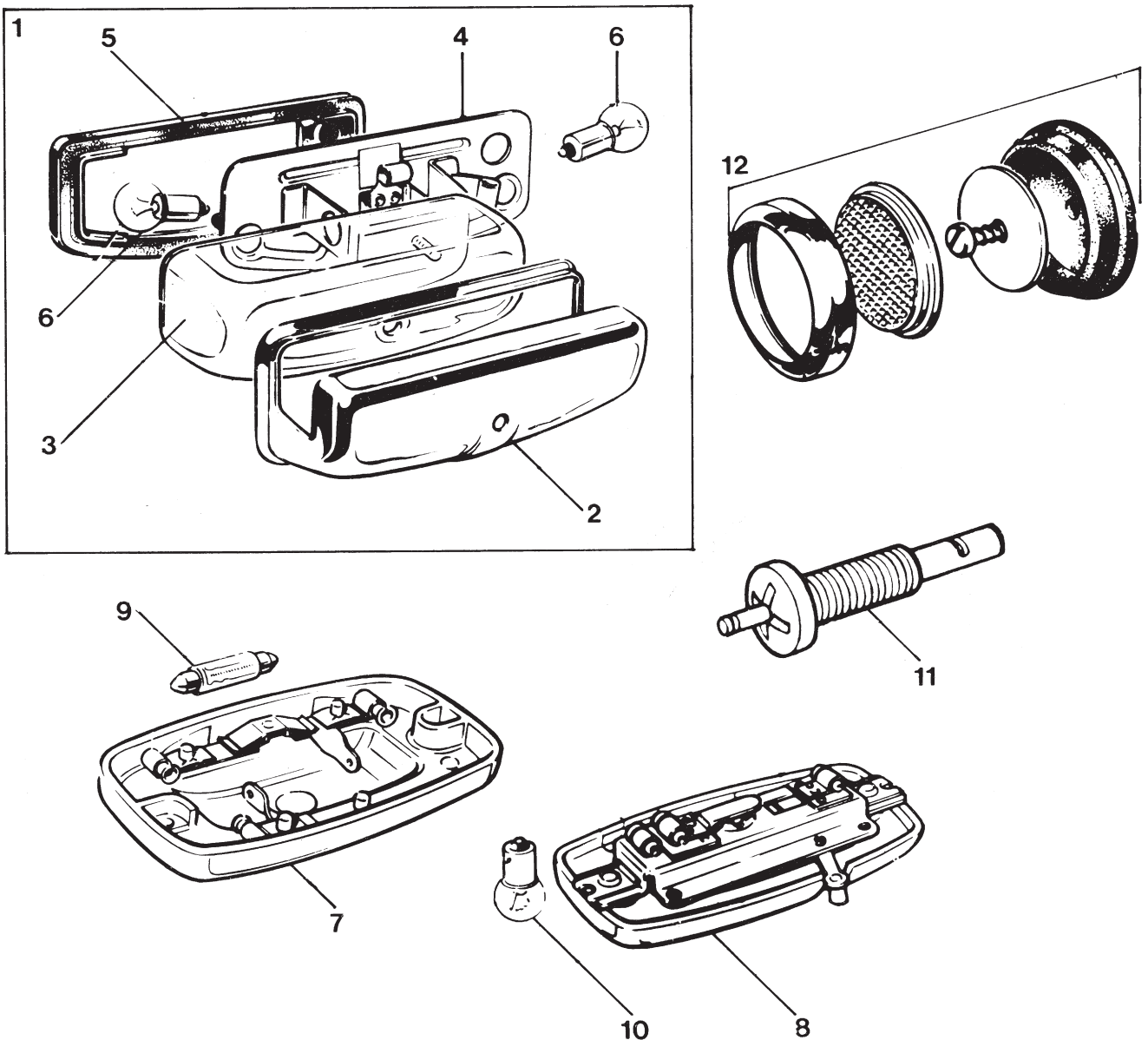
Part Number	ESM Order Ref.	Illus. No.	Description	Remarks
-------------	----------------	------------	-------------	---------

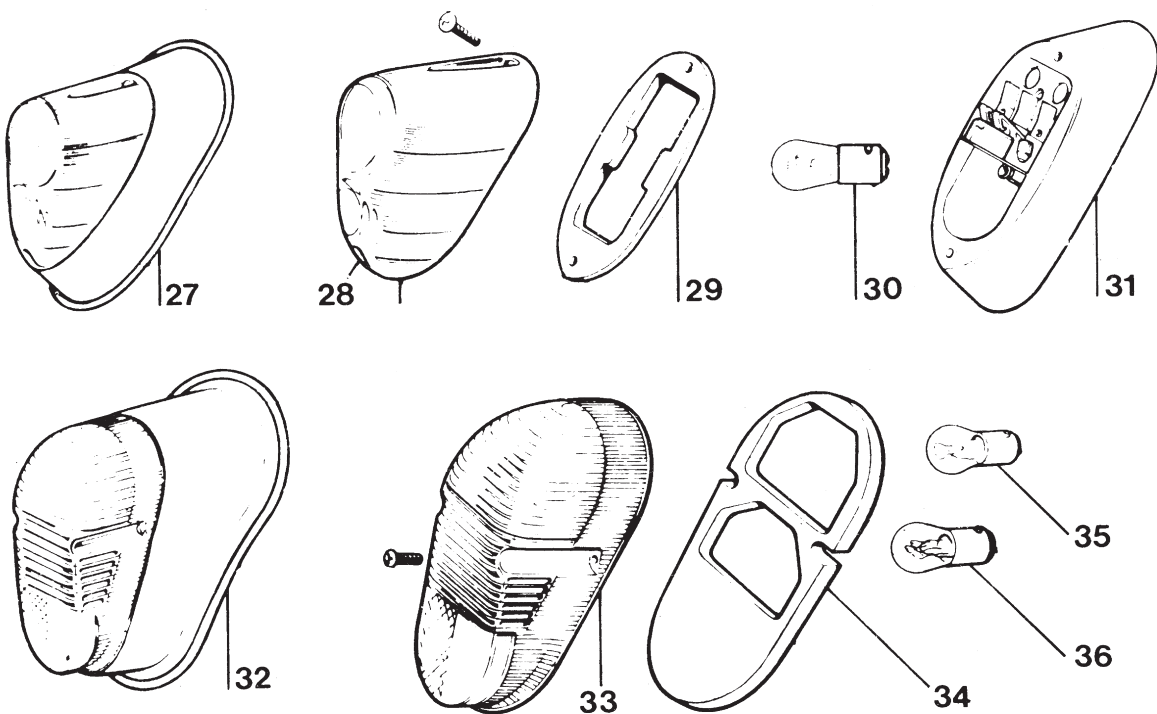
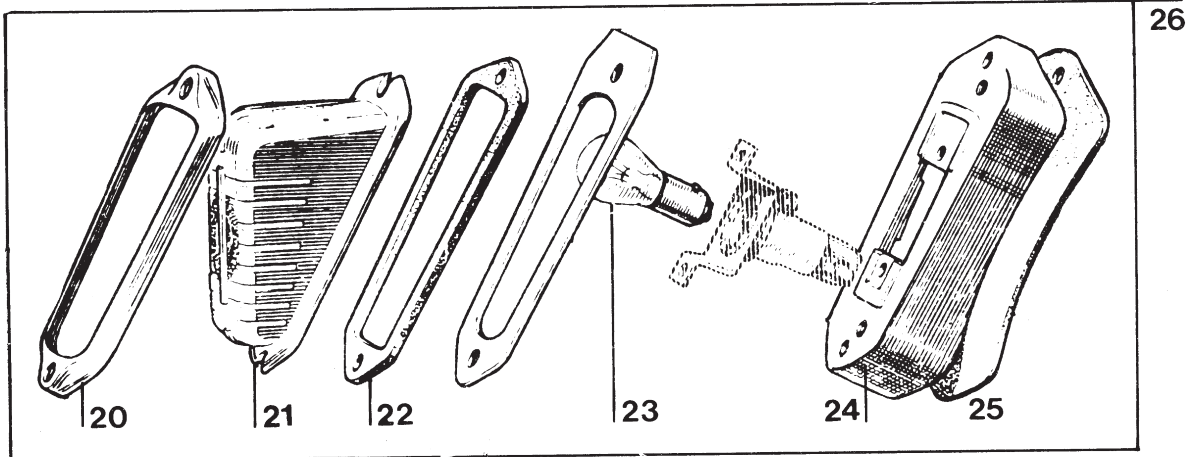
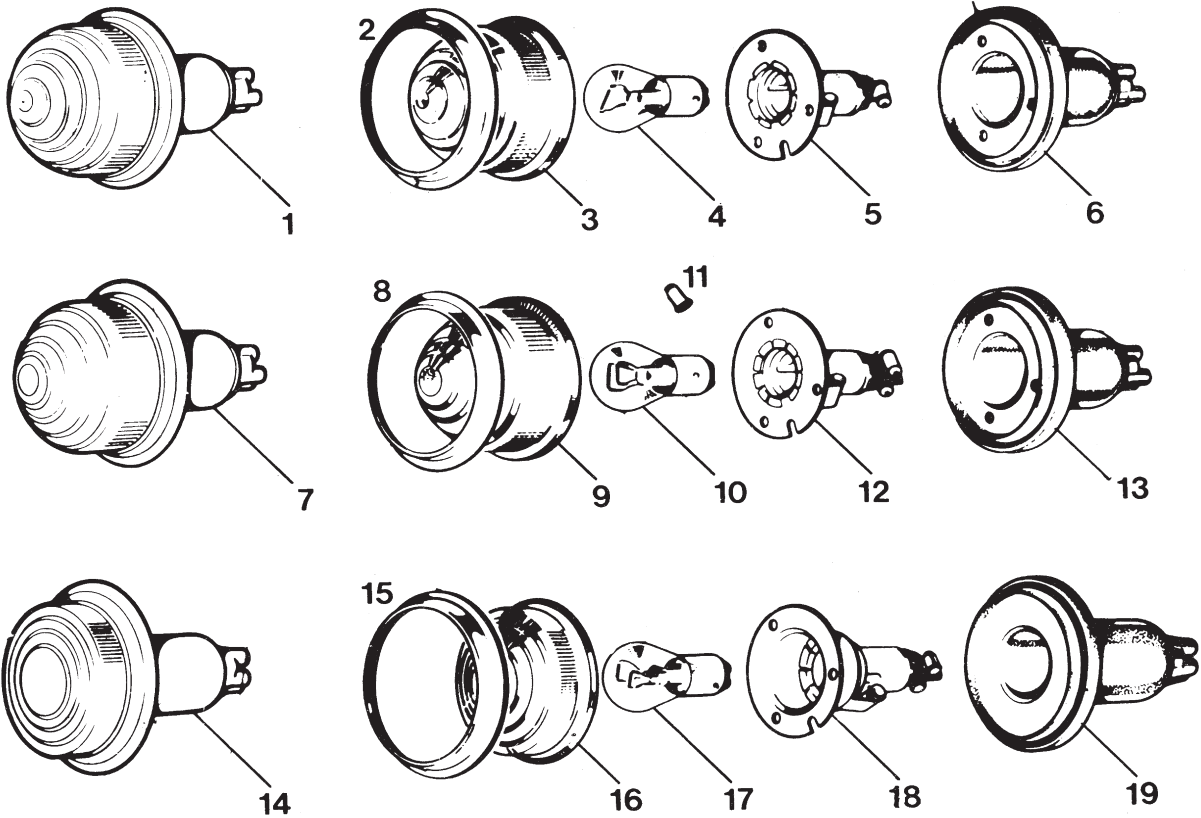
Front side lights and side-light/indicator units - all models

LMP132	LMP132	1	Lamp assembly - side	
LMP133	LMP133	2	Bezel assembly	
LMP134	LMP134	3	Glass	
LMP135	LMP135	4	Gasket - glass fixing	
BLB989	BLB989	5	Bulb - sidelight - 12v/5w	
LMP136	LMP136	6	Bulbholder assembly	
LMP137	LMP137	7	Body	
LMP138	LMP138	8	Lamp assembly - side and flasher	
LMP102	LMP102	9	Bezel	
LMP139	LMP139	10	Lens	
BLB380	BLB380	11	Bulb - twin filament - 12v 21w/5w	
LMP140	LMP140	12	Bulbholder assembly	
LMP113	LMP113	13	Body	
LMP170	LMP170	14	Lamp assembly - side-light/indicator	
LMP171	LMP171	15	Lens assembly	
LMP172	LMP173	16	Ring - sliding	
LMP173	LMP173	17	Gasket - lens seating	
-	LMP173	17	Gasket set - includes LMP172/3/180	
-	LMP180	-	Gasket - base to wing (for LMP170)	
BLB382	BLB382	18	Bulb - flasher - 12v/21w	
BLB989	BLB989	19	Bulb - sidelight - 12v/5w	
LMP174	LMP174	20	Base	
LMP175	LMP175	21	Trafficator assembly	
LMP176	LMP176	22	Arm	
LMP177	LMP177	23	Cover	
BLB256	BLB256	24	Bulb - 12v/3w (festoon type)	



Part Number	ESM Order Ref.	Illus. No.	Description	Remarks
			Interior light, number plate light, reflector	
LMP141	LMP141B	1	Number plate light - black	
LMP141C	LMP141C	1	Number plate light - chrome	
LMP142	LMP142B	2	Cover - metal - black	
LMP142C	LMP142C	2	Cover - metal - chrome	
LMP143	LMP143	3	Lens - glass	
LMP144	LMP144E	4	Base	
LMP145	LMP145	5	Gasket - lens seating	
BLB989	BLB989	6	Bulb - 12v/5w	
LMP146	LMP146	7	Lamp assembly - interior	1098cc
LMP147	LMP147SH	8	Lamp assembly - interior	fitted up to introduction of LMP146
BLB254	BLB254	9	Bulb - interior light - 12v/5w	festoon type
BLB989	BLB989	10	Bulb - 12v/5w	
LMP148	LMP148	11	Switch - courtesy light	
LMP149	LMP150A	12	Reflector - 2 1/4" diameter	803cc/948cc Traveller
LMP150	LMP150	-	Reflector - 2 7/8" diameter	1098cc





Part Number	ESM Order Ref.	Illus. No.	Description	Remarks
Lamps - rear - all models				
Traveller - 1098cc				
LMP101	LMP101	1	Lamp assembly - flasher - amber lens	
LMP102	LMP102	2	Bezel	
LMP103	LMP103	3	Lens - amber	
BLB382	BLB382	4	Bulb - flasher - 12v 21w	
LMP104	LMP104	5	Bulbholder assembly - flasher	
LMP105	LMP105	6	Body - rubber	
LMP106	LMP106	7	Lamp assembly - stop and tail	
LMP102	LMP102	8	Bezel	
LMP107	LMP107	9	Lens - red	
BLB380	BLB380	10	Bulb - stop and tail - 12v 21w/5w	
LMP108	LMP108	11	Connector - brass	
LMP109	LMP109	12	Bulbholder assembly - stop and tail	
LMP105	LMP105	13	Body - rubber	
Traveller - 803cc and 948cc				
LMP110	LMP110	14	Lamp assembly - stop and tail	
LMP102	LMP102	12	Bezel	
LMP111	LMP111	16	Lens - red	
BLB380	BLB380	17	Bulb - stop and tail - 12v 21w/5w	
LMP140	LMP140	18	Bulbholder - stop and tail	
LMP113	LMP113	19	Body - rubber	
Saloons and convertible - 918cc and early 803cc				
LMP114	LMP114	20	Bezel - Lucas L471	
LMP115	LMP115	21	Lens - plastic	
LMP115A	LMP115G	21	Lens - glass	
LMP116	LMP116	22	Seating - rubber - lens	
BLB380	BLB380	23	Bulb - stop and tail - 12v 21w/5w	
LMP117	LMP117	24	Lamp base - R/H	
LMP118	LMP118	-	Lamp base - L/H	
LMP119	LMP119	25	Gasket - base	
LMP120	LMP120	26	Lamp assembly - R/H	
LMP121	LMP121	-	Lamp assembly - L/H	
LMP317	LMP317	37	Bulbholder assembly	
LMP318	LMP318	38	Screw - lens to base	
Saloons and convertible - late 803cc and 948cc				
LMP122	LMP301	27	Lamp assembly - R/H	
LMP123	LMP302	-	Lamp assembly - L/H	
LMP124	LMP124	28	Lens	
LMP125	LMP125	29	Seating - rubber - lens	
BLB380	BLB380	30	Bulb - stop and tail - 12v 21w/5w	
LMP126	Use LMP301	31	Lamp base - R/H	
LMP127	Use LMP302	-	Lamp base - L/H	
Saloons and Convertible - 1098cc				
LMP128	LMP128	32	Lamp assembly - chrome on plastic - R/H	
LMP129	LMP129	-	Lamp assembly - chrome on plastic - L/H	
LMP162	LMP128A	-	Lamp base - chrome on alloy - R/H	
LMP163	LMP129A	-	Lamp base - chrome on alloy - L/H	
	LMP128P	-	Lamp base - chrome on plastic - R/H	
	LMP129P	-	Lamp base - chrome on plastic - L/H	
LMP130	LMP130	33	Lens - genuine Lucas	
LMP130A	LMP130A	33	Lens - non-genuine	
LMP131	LMP131	34	Gasket - lens to base	
LMP164	LMP164	-	Gasket - base to wing - R/H	
LMP165	LMP165	-	Gasket - base to wing - L/H	
BLB382	BLB382	35	Bulb - flasher - 12v 21w	
BLB380	BLB380	36	Bulb - stop and tail - 12v 21w/5w	

Part Number	ESM Order Ref.	Illus. No.	Description	Remarks
Speedometer, fuel gauge etc.				
Speedometer:				
SPD101	SPD3205/03	1	SN 3205/03	Early 803cc
SPD102	SPD4401/09	2	SN 4401/09	For use with 5.375:1 differential
SPD103	SPD4477/00	2	SN 4477/10	For use with 5.375:1 differential
-	SPD4406/08	2	SN 4406/08	Use SPD103
SPD104	SPD4451/15	2	SN 4451/15	For use with 4.555:1 differential
-	SPD4401/15	2	SN 4401/15	Use SPD104
SPD105	SPD4406/00	2	SN 4466/00	For use with 4.555:1 differential
SPD106	SPD4477/00	2	SN 4477/00	For use with 4.555:1 differential
-	SPD4407/00	2	SN 4407/00	Use SPD106
SPD107	SPD4477/30	2	SN 4477/30	For use with 4.875:1 differential
SPD108	SPD4419/04	2	SN 4419/04	
SPD109	SPD4423/04	2	SN 4423/06	
SPD110	SPD110	3	Cable assembly	For use with SPD101
SPD111	SPD111	3	Cable assembly	Late 803cc on
SPD112	SPD112	4	Gauge - fuel	Early type - light bronze colour
SPD113	SPD113	4	Gauge - fuel	Late type - black colour
SPD114	SPD114	5	Stabilizer - voltage	Fitted up to introduction of SPD115
SPD115	SPD115	5	Stabilizer - voltage	MA2S5, MAS5, MAT5, MAW5 1203563 on
SPD116	STR139	6	Strap - speedo cable to choke cable	
SPD117	SPD117	7	Bulb holder - panel illumination	
SPD118	SPD117	7	Bulb holder - oil and ignition lights	
SPD119	SPD117	7	Bulb holder - headlamp beam	
BLB987	BLB987	8	Panel light bulb - screw in - 12v 2.2w	

